



PE-8000 OUTDOOR PRESSURE SENSING ELEMENT

DESCRIPTION

Model **PE-8000** Pressure Sensing Elements are designed to provide a true outdoor (atmospheric) pressure signal that is not affected by wind induced pressure envelopes. The impact plate keeps flow from directly hitting the sensing holes and creating errors. Their output may be used as a reference for interior building space pressure control. However, the use and location of atmospheric pressure sensors has been the subject of many studies, and all conclude (as does PCI) that their use should be minimized or avoided because of problems associated with varying wind directions and wind gusts. The **PE-8000** must be installed away from higher building structures, at a minimum elevation of 12 ft above the roof line or adjacent parapet.

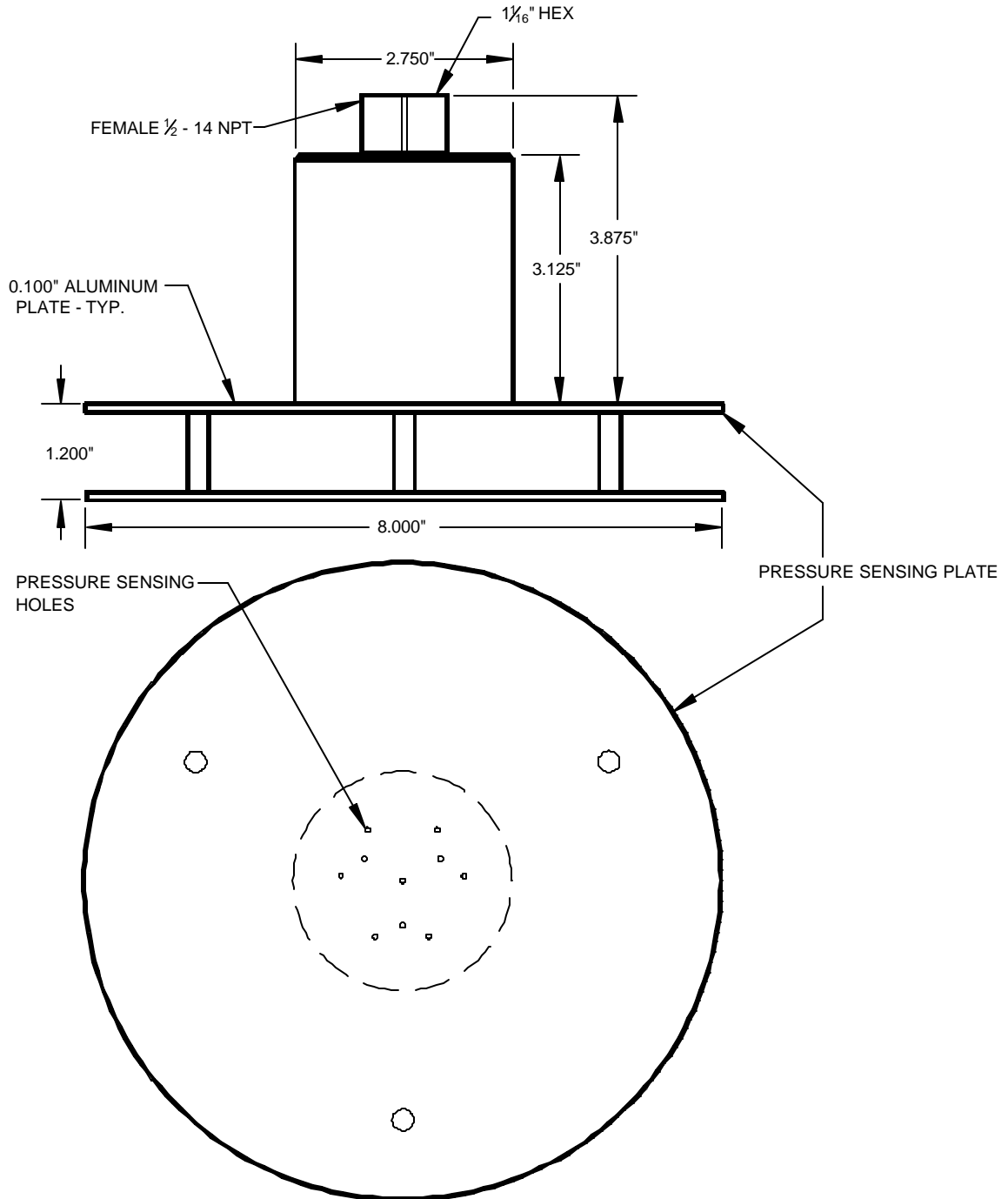
Features

- Provides a true outdoor (atmospheric) pressure signal
- Impact plate that keeps flow from directly hitting the sensing holes and creating errors
- Not effected by wind induced pressure envelopes
- Low signal-to-noise ratio
- Multiple static pressure sensing ports
- Averaging internal manifold
- $\pm 2\%$ accuracy of atmospheric pressure
- Constructed of brushed aluminum suitable for most applications
- Units are optionally available in Type 304, 11 gage stainless steel
- Furnished complete with mounting hardware and signal connection fittings

PE-8000 Specifications

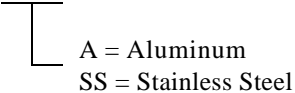
- | | | |
|--|---|---|
| 1. Accuracy
± 2% of atmospheric pressure | 2. Material
10 gage 6061 brushed aluminum
Type 304, 11 gage stainless steel (optional) | 3. Connection Fittings
½" NPT |
|--|---|---|

Dimensions



Ordering Information

PE-8000



A = Aluminum
SS = Stainless Steel

Specification Guide

Shielded Outdoor (Atmospheric) Pressure Sensing Elements

1. Provide shielded static pressure sensors suitable for exterior mounting, to be utilized as the reference value for space static pressure indication and control. Each sensor is to be complete with multiple sensing ports, pressure impulse suppression, airflow velocity shielding, and a 2½ inch diameter female pipe thread connection for field mounting and signal transmitting. These sensors are to be constructed of [10 gage 6061 aluminum, with a brushed finish on exposed surfaces] [Type 304, 11 gage stainless steel, with a brushed finish on exposed surfaces].
2. The outdoor air probe shall be capable of sensing the outside atmospheric air pressure to within $\pm 2\%$ of the actual value when subjected to a radial wind velocity up to 80 miles per hour with approach angles up to 30 degrees to the horizontal.

Manufacturer

3. Outdoor pressure sensors shall be Paragon Controls Inc. Model PE-8000 or equal as approved by the Engineer.
4. The naming of any manufacturer does not automatically constitute acceptance of his standard product nor waive this responsibility to comply totally with all requirements of the proceeding specification.

Engineering Reference Table

VELOCITY VERSUS VELOCITY PRESSURE													
V = VELOCITY IN FEET PER MINUTE						P _V = VELOCITY PRESSURE IN INCHES H ₂ O							
V	P _V	V	P _V	V	P _V	V	P _V	V	P _V	V	P _V	V	P _V
180	0.0020	620	0.0240	1060	0.0701	1500	0.1403	1940	0.2346	2760	0.4749	3640	0.8260
190	0.0023	630	0.0247	1070	0.0714	1510	0.1422	1950	0.2371	2780	0.4818	3660	0.8351
200	0.0025	640	0.0255	1080	0.0727	1520	0.1440	1960	0.2395	2800	0.4888	3680	0.8443
210	0.0027	650	0.0263	1090	0.0741	1530	0.1459	1970	0.2420	2820	0.4958	3700	0.8535
220	0.0030	660	0.0272	1100	0.0754	1540	0.1479	1980	0.2444	2840	0.5028	3720	0.8627
230	0.0033	670	0.0280	1110	0.0768	1550	0.1498	1990	0.2469	2860	0.5099	3740	0.8720
240	0.0036	680	0.0288	1120	0.0782	1560	0.1517	2000	0.2494	2880	0.5171	3760	0.8814
250	0.0039	690	0.0297	1130	0.0796	1570	0.1537	2020	0.2544	2900	0.5243	3780	0.8908
260	0.0042	700	0.0305	1140	0.0810	1580	0.1556	2040	0.2595	2920	0.5316	3800	0.9002
270	0.0045	710	0.0314	1150	0.0825	1590	0.1576	2060	0.2646	2940	0.5389	3820	0.9097
280	0.0049	720	0.0323	1160	0.0839	1600	0.1596	2080	0.2697	2960	0.5462	3840	0.9193
290	0.0052	730	0.0332	1170	0.0853	1610	0.1616	2100	0.2749	2980	0.5536	3860	0.9289
300	0.0056	740	0.0341	1180	0.0868	1620	0.1636	2120	0.2802	3000	0.5611	3880	0.9386
310	0.0060	750	0.0351	1190	0.0883	1630	0.1656	2140	0.2855	3020	0.5686	3900	0.9483
320	0.0064	760	0.0360	1200	0.0898	1640	0.1677	2160	0.2909	3040	0.5762	3920	0.9580
330	0.0068	770	0.0370	1210	0.0913	1650	0.1697	2180	0.2963	3060	0.5838	3940	0.9678
340	0.0072	780	0.0379	1220	0.0928	1660	0.1718	2200	0.3017	3080	0.5914	3960	0.9777
350	0.0076	790	0.0389	1230	0.0943	1670	0.1739	2220	0.3073	3100	0.5991	3980	0.9876
360	0.0081	800	0.0399	1240	0.0959	1680	0.1760	2240	0.3128	3120	0.6069	4000	0.9975
370	0.0085	810	0.0409	1250	0.0974	1690	0.1781	2260	0.3184	3140	0.6147	4050	1.0226
380	0.0090	820	0.0419	1260	0.0990	1700	0.1802	2280	0.3241	3160	0.6225	4100	1.0480
390	0.0095	830	0.0429	1270	0.1006	1710	0.1823	2300	0.3298	3180	0.6304	4150	1.0737
400	0.0100	840	0.0440	1280	0.1021	1720	0.1844	2320	0.3356	3200	0.6384	4200	1.0997
410	0.0105	850	0.0450	1290	0.1037	1730	0.1866	2340	0.3414	3220	0.6464	4250	1.1261
420	0.0110	860	0.0461	1300	0.1054	1740	0.1888	2360	0.3472	3240	0.6545	4300	1.1527
430	0.0115	870	0.0472	1310	0.1070	1750	0.1909	2380	0.3531	3260	0.6626	4350	1.1797
440	0.0121	880	0.0483	1320	0.1086	1760	0.1931	2400	0.3591	3280	0.6707	4400	1.2070
450	0.0126	890	0.0494	1330	0.1103	1770	0.1953	2420	0.3651	3300	0.6789	4450	1.2346
460	0.0132	900	0.0505	1340	0.1119	1780	0.1975	2440	0.3712	3320	0.6872	4500	1.2625
470	0.0138	910	0.0516	1350	0.1136	1790	0.1998	2460	0.3773	3340	0.6955	4550	1.2907
480	0.0144	920	0.0528	1360	0.1153	1800	0.2020	2480	0.3834	3360	0.7038	4600	1.3192
490	0.0150	930	0.0539	1370	0.1170	1810	0.2042	2500	0.3897	3380	0.7122	4650	1.3480
500	0.0156	940	0.0551	1380	0.1187	1820	0.2065	2520	0.3959	3400	0.7207	4700	1.3772
510	0.0162	950	0.0563	1390	0.1205	1830	0.2088	2540	0.4022	3420	0.7292	4750	1.4066
520	0.0169	960	0.0575	1400	0.1222	1840	0.2111	2560	0.4086	3440	0.7378	4800	1.4364
530	0.0175	970	0.0587	1410	0.1239	1850	0.2134	2580	0.4150	3460	0.7464	4850	1.4665
540	0.0182	980	0.0599	1420	0.1257	1860	0.2157	2600	0.4214	3480	0.7550	4900	1.4969
550	0.0189	990	0.0611	1430	0.1275	1870	0.2180	2620	0.4280	3500	0.7637	4950	1.5276
560	0.0196	1000	0.0623	1440	0.1293	1880	0.2203	2640	0.4345	3520	0.7725	5000	1.5586
570	0.0203	1010	0.0636	1450	0.1311	1890	0.2227	2660	0.4411	3540	0.7813	5050	1.5899
580	0.0210	1020	0.0649	1460	0.1329	1900	0.2251	2680	0.4478	3560	0.7901	5100	1.6216
590	0.0217	1030	0.0661	1470	0.1347	1910	0.2274	2700	0.4545	3580	0.7990	5150	1.6535
600	0.0224	1040	0.0674	1480	0.1366	1920	0.2298	2720	0.4612	3600	0.8080	5200	1.6858
610	0.0232	1050	0.0687	1490	0.1384	1930	0.2322	2740	0.4681	3620	0.8170	5250	1.7184
8000	3.9900												

Above P_V Values Are Based On Standard Air Density Of 0.075 lbm/ft³ Which Is Air At 68°F, 50% Relative Humidity, And 29.92" Hg.
The equation for converting air volume (Q) into velocity (V) and velocity pressure (P_V) is:

$$V = \frac{Q}{A} \quad PV = \left(\frac{V}{C}\right)^2 \times r$$

Where:
V = Velocity, in fpm C = 1096.7
Q = Flow, in cfm ρ_a = Density of air, in lb/ft³
A = Area, in ft² P_V = Velocity pressure, in inches H₂O